

Electric Strikes

GK500 European Series

Durable, Versatile Strikes for Residential and Business



**GK500 European Series
with Faceplate Options**

**GK500
European Series**

The GK500 European series electric strikes are designed for use with a night latch or mortise lockset. The GK515/525/545 provides hold-open function (internal) that enables the strike to stay unlocked until the actual opening of the door. The GK520/525 features a mechanical lever for manual release. The GK530/540/545 electric strikes have a stainless steel keeper for enhanced security.

Standard Features

- Endurance 1,000,000 cycles
- Non-handed fully reversible
- Zinc alloy construction
- Static strength
 - 800 lbs (363Kg) : GK500, 510, 515, 520, 525
 - 1000 lbs (454Kg) : GK530, 540, 545

Other Features

- Hold-open function (Internal)
- Mechanical lever (For GK520/525)
- Adjustable keeper
- Latch monitor

Patents, Approval, and Listings

- CE: EC741012-01 (GK500, 510, 515)

Faceplates

- Brushed stainless steel/Grey powder coated finish
- 4 Faceplate options for surface or mortise installation

GK500 European Series Electric Strikes

Models	Voltage (VDC)	Mode	Latch Throw (mm)	Adjustable Keeper	Hold-Open (Internal)	Mechanical Lever	Optional Faceplates
GK500 GK500M	12 or 24	Fail-safe	9	●	—	—	FP-GK160 FP-GK250 FP-GK106 FP-GK110
GK510 GK510M	12 or 24	Fail-secure	9	●	—	—	FP-GK160 FP-GK250 FP-GK106 FP-GK110
GK515 GK515M	12 or 24	Fail-secure	9	●	●	—	FP-GK160 FP-GK250 FP-GK106 FP-GK110
GK520	12 or 24	Fail-secure	9	●	—	●	FP-GK160 FP-GK106
GK525	12 or 24	Fail-secure	9	●	●	●	FP-GK160 FP-GK106
GK530	12 or 24	Fail-safe	13	—	—	—	FP-GK160 FP-GK250 FP-GK106 FP-GK110
GK540	12 or 24	Fail-secure	13	—	—	—	FP-GK160 FP-GK250 FP-GK106 FP-GK110
GK545	12 or 24	Fail-secure	13	—	●	—	FP-GK160 FP-GK250 FP-GK106 FP-GK110



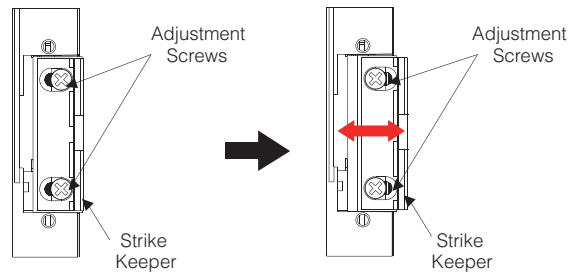
**GK500/510/515
500M/510M/515M**

"M" suffix in the model number indicates latch status monitoring.

GK520/525

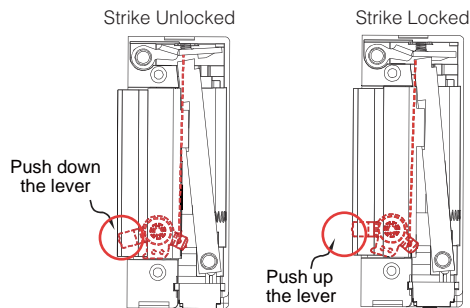
GK530/540/545
Stainless steel keeper

Adjustable Keeper



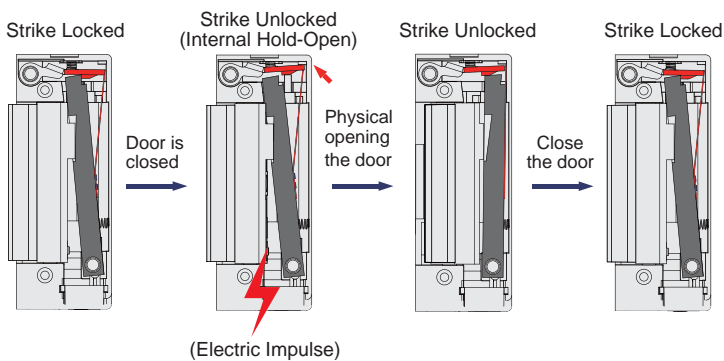
The GK515/515M/525/545 features an **adjustable keeper** that can be moved horizontally to compensate for installation difficulties such as warped doors. **(Maximum adjustable range: 3mm)**

Mechanical Unlocking



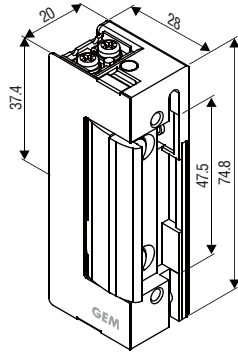
The GK520/525 features a mechanical lever that can be activated to keep the strike opened until pushed back manually.

Hold-Open (Internal)

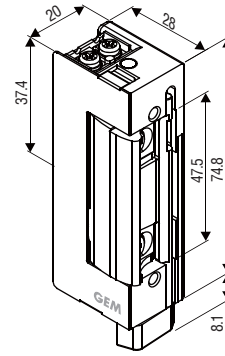


The hold-open function (Internal) enables strike to become unlocked after single electric impulse. The electric strike is open until physical opening the door, then the latch is coming back to standard position (closed). Internal hold-open has no extending switch and does not have to be adjusted to the door latch.

Dimensions



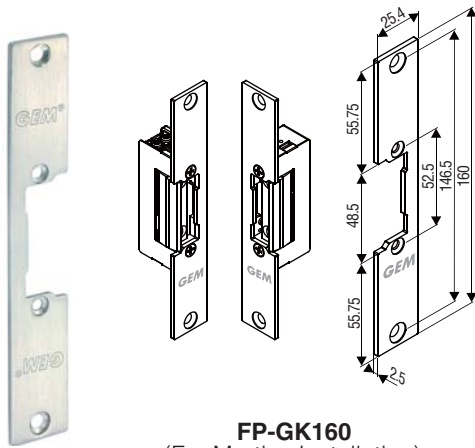
GK500 European Series
(GK500 shown)



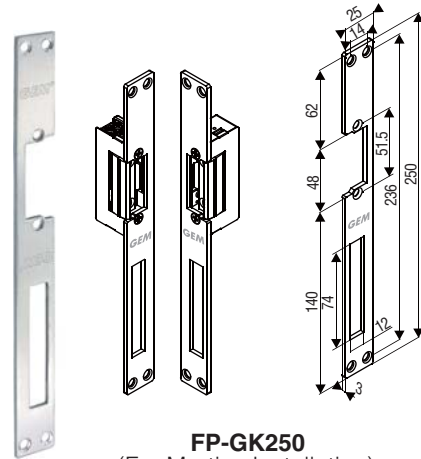
GK500 European Series with Latch monitor
(GK500M shown)

GK500 European Series Faceplate Options

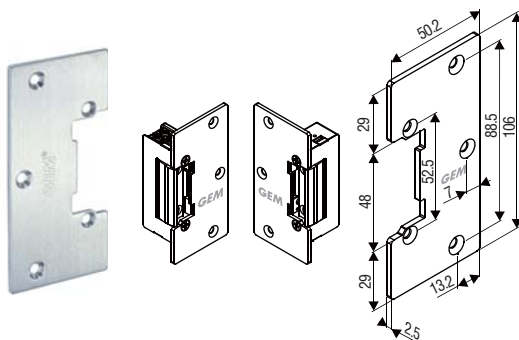
The GK500 European series electric strikes are reversible for DIN left and DIN right-handed doors and available with 4 faceplate options.



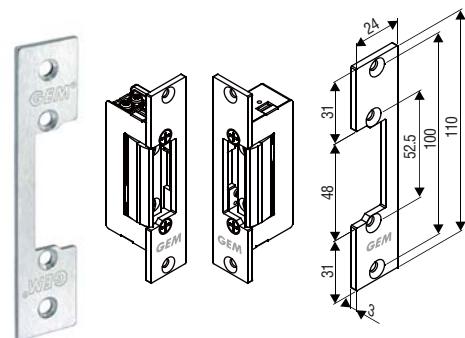
FP-GK160
(For Mortise Installation)



FP-GK250
(For Mortise Installation)



FP-GK106
(For Surface Installation)



FP-GK110
(For Mortise Installation)

All dimensions in mm

Warranty

The product is warranted against defects in material and workmanship while used in normal service for a period of 1 years from the date of sale to the original client. The GEM policy is one of continual development and improvement; therefore GEM reserves the right to change specifications without notice.