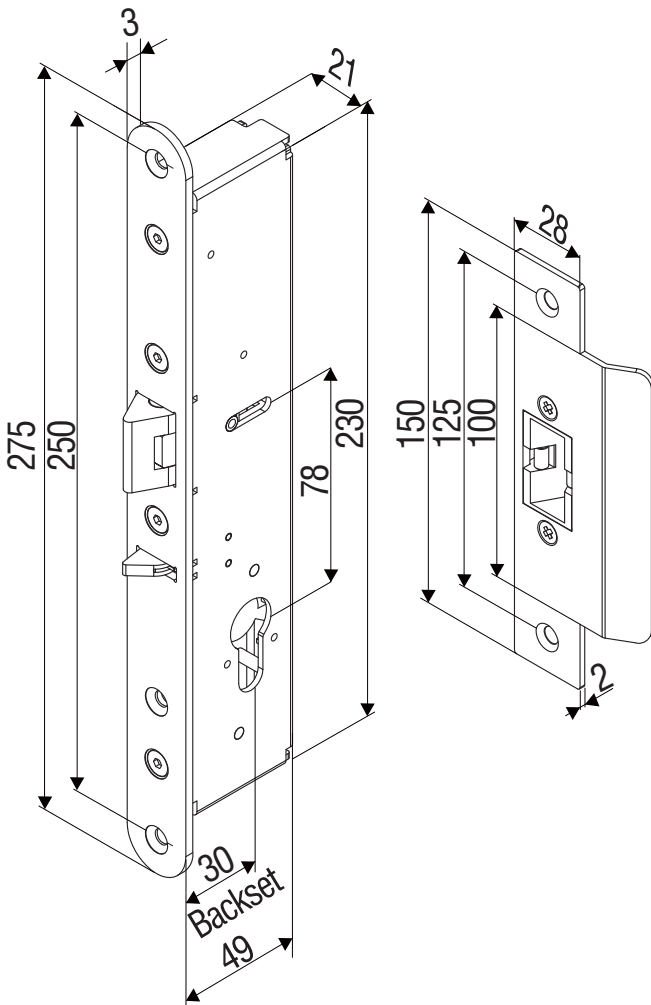
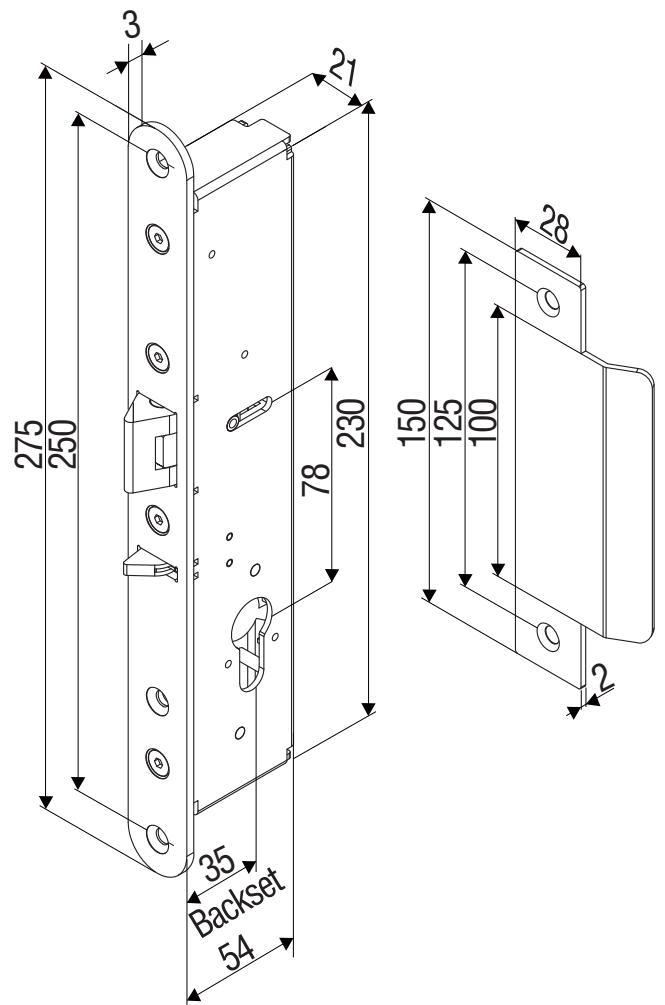


# Dimension

## ML-655M SERIES



**ML-655M-30**



**ML-655M-35**

All dimensions in mm